



Switchgear type KTON-05W/2K(4,X) with remote erase of the central leakage protection of 6,3 or 10 kVA power



The switchgear type KTON-05W/2K(4,X) is a device designed for use in underground mining in excavations with no explosion hazard or in conditions with no methane explosion hazard and designated as class A coal dust explosion hazard.

The switchgear type KTON-05W/2K(4,X) is designed for switching and connecting the receivers to the three-phase mine grid with isolated star point transformer (IT system) for rated grid voltage of 230V.

The switchgear type KTON-05W/2K(4,X) is equipped with a power protections against short-circuits, overloads and lowered insulation resistance.

The switchgear type KTON-05W/2K(4,X) supports power range of the built in transformer from 6300 VA to 10000 VA and rated transformer voltage 500/230 V.

Basic use of switchgear type KTON-05W/2K(4,X) is powering receivers of rated voltage of 230V.

TECHNICAL DATA:

Ingress protection	IP54
Rated power	3,2kVA; 6,3kVA
Rated supply voltage	500V
Rated outlet voltage	230V
Rated current of clamps from the supply side	50A
Number of 230V outlets	4
Dimensions	1300 x 800 x 370mm (H x W x D)
Weight	120kg

CONSTRUCTION

The switchgear housing is made of steel sheets. The housing is equipped with brackets that allow for the switchgear to be hung on a chain or to be attached to a different construction.

MODE OF OPERATION

Control of the 230V outlets can be realized in two modes LOCAL/REMOTE - locally from the face of the switchgear or remotely from an external control cabinet.

On the 500V side the switchgear is equipped with a fuse disconnecter and on the 230V with 4 outlets.

The outlets are equipped with safety trip switches protecting against short circuit and overloads. The protection against an electric shock is made based on the central leakage protection.

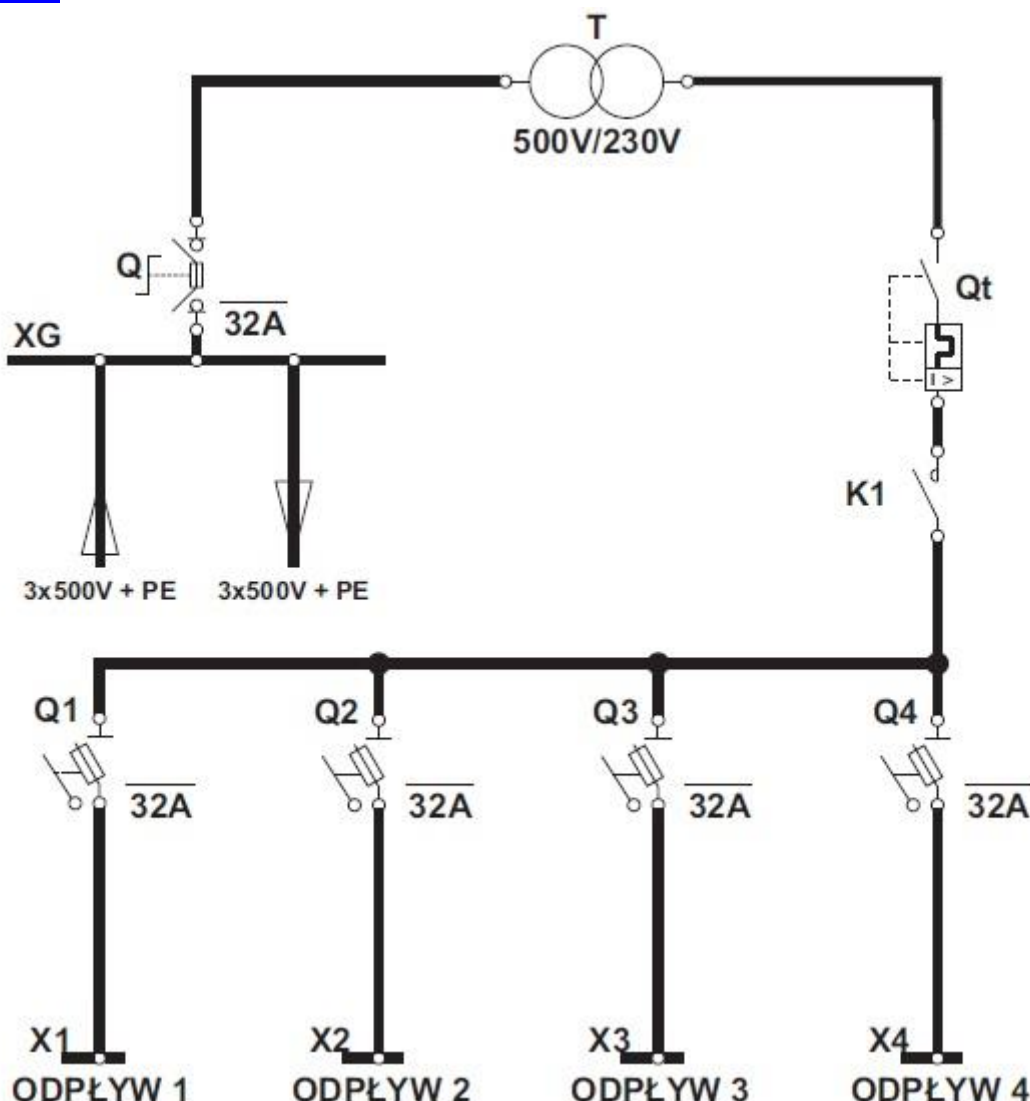
Central-blocking leakage protection controls state of insulation of all the outlets before applying voltage and while operating. Central-blocking leakage protection can be remotely erased.

All the outlets are being turned on simultaneously from the face of the switchgear or remotely from the control cabinet.

SCHEMATIC DIAGRAM

Legend:

Odplyw - outlet



Orders should be submitted in writing or by fax to the address:



Instal-Service PL

Spółka z ograniczoną odpowiedzialnością
Spółka komandytowa

58-506 Jelenia Góra, ul. Wrocławska 15a
tel. (+48 075) 64-57-950
fax. (+48 075) 64-57-951
e-mai: instal@instal-service.pl